

Series 533, 535 Product Overview

Features:

- Hardened steel bushings and pivot pins
- Large bar guides for greater lateral support
- Solid clamping bar may be modified to suit application requirements

Applications:

- Welding
- Heavy duty clamping applications

Also Available:

See page 7.1 for accessories

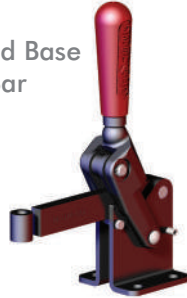
**533-L**  
Flanged Base  
Solid Bar



**533-LB**  
Straight Base  
Solid Bar



**535-L**  
Flanged Base  
Solid Bar



**535-LB**  
Straight Base  
Solid Bar



Series 533, 535 Technical Information

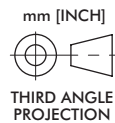
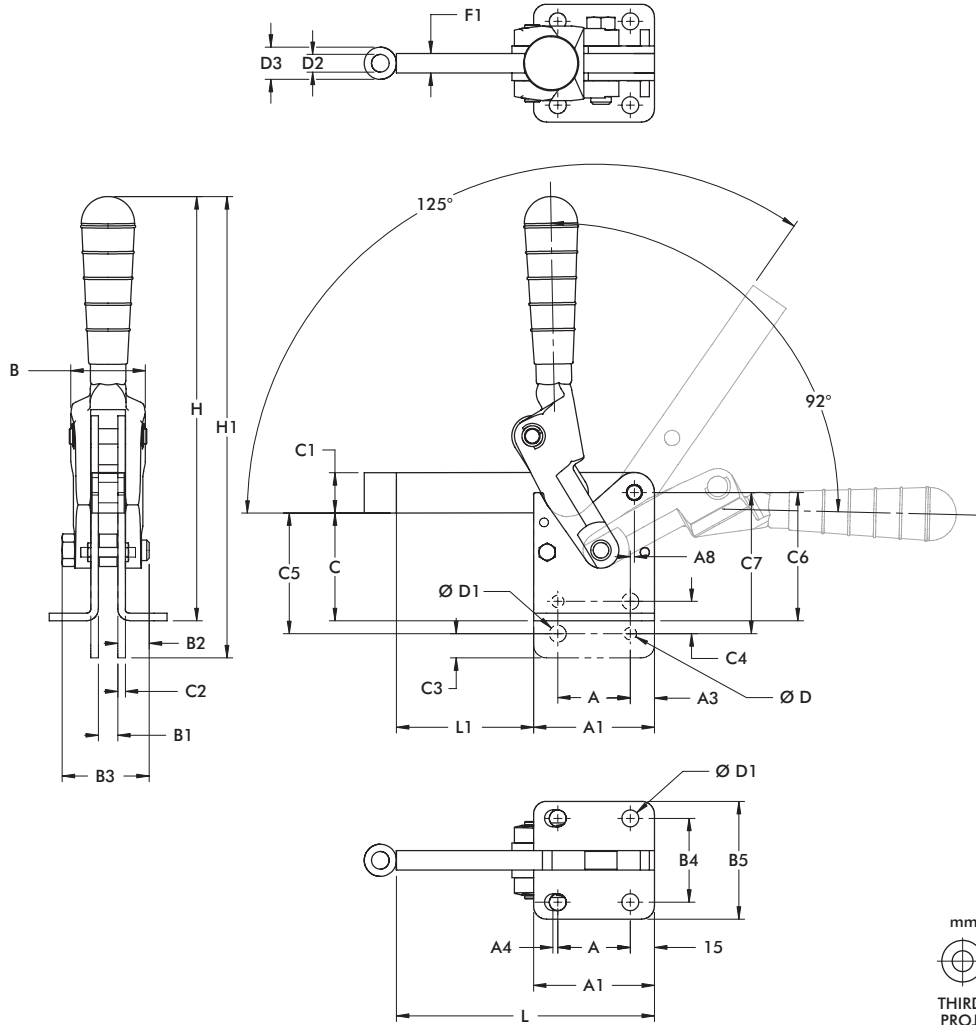
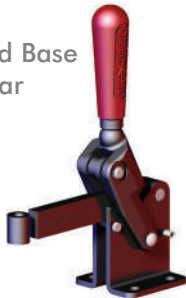
Model	Max. Holding Capacity	Clamp Bar Opening (+10°)	Handle Opening (+10°)	Weight	Accessories (Supplied)
					Bolt Retainer
<b>533-L</b>	7000 N [1575 lbf]	120°	90°	1,00kg [2.20lbs]	533108-M
<b>533-LB</b>					
<b>535-L</b>	10000 N [2250 lbf]			1,85kg [4.087lbs]	535108-M
<b>535-LB</b>					

## Series 533, 535 Standard Clamp Dimensions -L/-LB

**533-L**  
Flanged Base  
Solid Bar



**535-L**  
Flanged Base  
Solid Bar



Model	A	A1	A3	A4	A8	B	B1	B2	B3	B4	B5	C	C1	C2
<b>533-L</b>	[1.18] 30	[2.36] 59,9		[0.08] 2	[0.20] 5,1	[1.52] 38,6	[0.39] 9,9	[0.69] 15,5	[1.75] 44,5	[1.77] 45	[2.44] 62	[1.86] 47,2	[0.79] 20,1	
<b>533-LB</b>			[0.59] 15							--	--	--		[0.19] 4,8
<b>535-L</b>	[1.77] 45	[2.95] 74,9		--	[0.18] 4,6	[1.89] 48	[0.47] 11,9	[0.89] 22,6	[2.13] 54,1	[2.05] 52,1	[2.87] 72,9	[2.63] 66,8	[0.98] 24,9	
<b>535-LB</b>										--	--	--		

Model	C3	C4	C5	C6	C7	D	D1	D2	D3	F1	H	H1	L	L1
<b>533-L</b>	--	--	--	[2.24] 56,9	--	--	[0.33] 8,4	[0.35] 8,9	[0.59] 15	[0.39] 9,9	[8.6] 218,4	--	[4.92] 125	[2.56] 65
<b>533-LB</b>	[0.39] 9,9	[0.59] 15	[1.86] 55,1	--	[2.56] 65	[0.22] 5,6					--	[9.31] 236,5		
<b>535-L</b>	--	--	--	[3.13] 79,5	--	--	[0.41] 10,4	[0.43] 10,9	[0.79] 20,1	[0.47] 11,9	[10.35] 262,9	--	[6.30] 160	[3.35] 85,1
<b>535-LB</b>	[0.59] 15	[0.79] 20,1	[2.95] 74,9	--	[3.44] 87,4	[0.30] 7,6					--	[11.26] 286		